



Instruction Booklet 使用說明



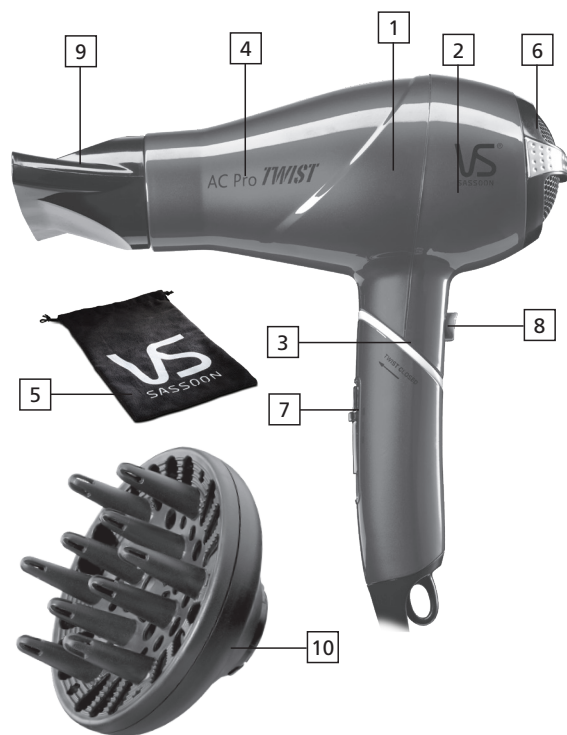
2000W AC PRO IONIC TWIST DRYER 2000瓦特專業髮廊AC馬達 負離子旋轉摺疊式風筒

VSD271H

Magic Shine

2000瓦特專業髮廊AC馬達 負離子旋轉摺疊式風筒

旋轉摺疊式風筒.....體積輕巧，光滑，有光澤和備有強力AC馬達。您會喜歡能夠旋轉和摺疊式手柄，方便存儲，非常適合旅遊。AC馬達能製造出強大的風力，比一般的風筒更快吹乾您的頭髮。除此之外，更備有冷風選擇，用作冷風吹乾及吹造型。負離子技術能減少蓬亂髮絲，令秀髮散發光澤，而極纖巧集風嘴能集中吹乾頭髮。



產品特點

- 220-240V~ 50-60Hz 1600-2000W
- AC馬達
- 旋轉摺疊式手柄
- 負離子科技
- 儲存旅行袋
- 過濾入風網
- 2段熱力/風速設定
- 冷風按鈕
- 集風嘴
- 散風器

一般使用

- 把電線接上電源。
- 用洗髮水洗髮並塗上護髮素，再徹底沖洗。
- 以毛巾擦乾秀髮及梳順頭髮。

- 風筒設有2段熱力/風速，及冷風選擇。
 - 開始吹乾頭髮及造型時，請使用高熱力和高速設置。最高設置是最適合為厚或硬的美髮吹造型。
 - 當頭髮水份減少後，用作吹造型及吹乾曲髮時，請使用低熱力和低速設置，低熱力是最適合纖細或受損頭髮。
- 當暖風吹髮至近乾透，再用冷風吹髮，以平服髮絲鱗狀表層及固定髮型。

極纖巧集風嘴-

使用集風嘴可集中控制气流，令您轻易造型和顺直头发。将集风嘴对准需要吹塑的头发，如需造型，请使用低速设定，并将集风嘴对准头发表面而顺著吹塑至发尾。

警告：切勿在風筒正在使用熱風時直接吹向皮膚(如頭皮、頸部，耳，臉等)，尤其在近距離下吹向皮膚上，以免引起不適，甚至燒傷。

散風器

散風器有助您輕易打理秀髮，與傳統的烘乾方法相比，它更能呵護髮絲。散出的熱力能助您塑造天然捲曲或波浪形秀髮，以及增加立體感的造型。

- 頭稍向前傾，將散風器向上正對頭髮，使暖氣自由徹底地運行。
- 用手指把一束頭髮從根部提起。
- 當頭髮吹乾時，您可以因應需要塑造秀髮造型。

重要：使用散風器時只可選擇最低溫度及速度設定。

負離子科技

現代生活中很多情形都會導致靜電積聚於頭髮，例如空調、接觸人造纖維，以及空氣污染等等。甚至梳頭及用毛巾抹乾頭髮都可能令頭髮上的靜電增加。靜電會導致髮絲相互排斥，令頭髮無法順滑貼服，並顯得蓬亂不堪，看上去顯得缺乏光澤。靜電積聚過多會令頭髮蓬亂不已、難以進行造型。本設備的內置離子產生器可透過釋放負離子，減少秀髮上的靜電，從而減少蓬亂髮絲，令秀髮散發絲質順滑和天然光澤。

重要安全指示

當使用電器時，尤其有小童在場，應小心及遵守以下安全指示：

使用前請細閱使用說明 電器應遠離水源

安全預防措施

警告：包裝或產品上使用的膠袋可能有危險，請擺放在嬰兒及兒童拿不到的位置。請勿於嬰兒床、睡床、嬰兒車或兒童遊樂園內使用。膠袋的薄層可能會堵著鼻子及口腔，阻礙呼吸。此膠袋不是玩具。

警告：不要在盛水的浴缸、淋浴缸、洗臉盆或其他器皿附近使用本器具。



- 當風筒在浴室使用後，應立即拔除插頭，因為風筒接近水會導致危險，即使開關已關掉。為提供額外的安全性保護，建議閣下在提供浴室電源的電路中安置不超過30毫安培(mA)的漏電斷路器(RCD)；如有疑問，請向負責安裝的電機工程師查詢。
- 切勿把電器放入或掉進水或其他液體中。
- 如果電源線損壞，為了避免危險，必須由製造商、其維修部或類似部門的專業人員更換。
- 切勿堵塞電器的入風口，及放在柔軟表面上如床或梳化，因有機會堵塞入風口。請避免入風口受纖維、頭髮等碎屑堵塞。
- 這個產品已配備了溫度斷路器。如果設備過熱，它會自動關閉或停止加熱。如果發生這種情況，請把開關關閉及拔去電源，讓產品冷卻10分鐘。再次使用前，請確保沒有任何其他污垢或頭髮在後方過濾網上。插上插頭和開機。如果它再次過熱，應立即停止使用，關掉電源並拔下插頭。交回沙宣服務中心檢查及維修。
- 若電器曾跌落地或有任何不妥，請馬上停止使用。
- 切勿將已接上電源或開啟的電器置之不理。
- 如若在使用中有任何不妥，請馬上拔去插頭。
- 請不要使用非本產品提供的任何配件。
- 每次用完後或清潔前請先拔去插頭。
- 切勿將電器發熱的部份碰到身體，尤其是眼睛、耳朵、面部和頸部。
- 本產品不該讓有智障，殘障，感官有缺陷或缺乏使用電器經驗與常識的人(包括兒童)單獨使用，而應由有經驗及常識之監管人監察及指導下使用此產品。小孩子應被監管以保證他們不會將此產品當成玩具。
- 待電器冷卻之後才收藏。
- 為避免損壞電源線，收藏時切勿將電源線纏繞在電器上並確保其不被拉扯、扭曲或屈折。

使用者保養指示

您的風筒基本上毋須特別保養，毋須加潤滑油。為保持風筒操作正常，必須保持風筒清潔。**堵塞的入風口會引致風筒過熱。**如需要清潔，拔去插頭，用小刷或吸塵機的刷掃去入風口的塵垢纖維。只可用微濕布抹淨風筒外殼。若風筒過熱，自動安全裝置會自動關掉風筒以避免損壞或引致損傷。若風筒關機，拔去插頭，再使用前讓風筒冷卻10至15分鐘。請確保通風口並無碎屑堵塞。

警告

切勿拉扯、扭曲、或嚴重彎曲電源線。切勿將電源線圍繞風筒。這會引致電源線連接口斷裂並引致短路。請經常檢查電源線有否損壞。若電器損壞或間歇性關機，請立即停止使用。若電源線或風筒損壞或不正常操作，請交到沙宣顧客服務中心檢查及維修。切勿自行維修電器。

收存指示

非使用風筒時，拔去插頭並收存在安全、乾爽、遠離兒童的地方。切勿將電源線圍繞風筒。

電線系統

總電線的顏色根據其性質而定：

藍色代表中線
啡色代表火線

由於電器的總電線顏色和插頭的電路接頭顏色可能不相符，故如要拆除插頭必須依照以下重新裝配操作說明：

- 藍色的電線應和電路接頭“N”接駁。
- 啡色的電線應和電路接頭“L”接駁。
- 切勿將以上任何一條電線駁在電路接頭的地線“E”或⊕插頭上。

此電器使用十三安培電插頭時，請採用十三安培的保險絲。若使用其他電插頭，請採用十三安培保險絲。

兩年保養期限

在您購買日期起兩年內，並在正常情況下，如產品的品質或零件有任何不妥之處，沙宣顧客服務中心將會為您免費提供維修或換貨服務。如需獲得此保用服務，只需保留正本收據，倘若產品於保養期內有任何問題，可蒞臨您所在地區的顧客服務中心處理。注意：是項保養不包括一切因錯誤使用、不依指示處理產品及意外損毀、遺失零件及經自行改造的產品。

保用期之後

請致電使用說明中所列出的您所在地區的沙宣顧客服務中心，查詢維修服務詳情，或是電郵至email_asia@conair.com，附上您的名字，電話號碼和電郵地址，還有產品不妥善之詳情。

如欲了解更多，請登入



VS SASSOON SERVICE CENTRE

Manufacturer: Conair Far East Ltd
Address: 35/F., Standard Chartered Tower, Millennium City,
388 Kwun Tong Road, Kwun Tong, Kowloon, Hong Kong.
Tel: (852) 2751 4604

沙宣顧客服務中心

製造商：美康雅達東有限公司
地址：香港九龍觀塘觀塘道388號創紀之城渣打中心35樓
電話：(852) 2751 4604

www.toolsfossassoon.com

SOLE DISTRIBUTED BY: 經銷商:

Philippines 菲律賓
Rustan Marketing Corporation
3rd Floor, 403 Midland Building,
Senator Gil Puyat Ave., Makati City, Philippines
Tel: (632) 890 9703 Fax: (632) 890 4838

Malaysia 馬來西亞
Innovest Marketing Sdn. Bhd.
Lot 2208, Jalan Kusta, Kampung Jaya Industrial Area,
47000 Sungai Buloh, Selangor D.E., Malaysia
Tel: 603 6141 3598

Singapore 新加坡
Massmark International Pte Ltd
80 Genting Lane #08-01/05
(*Drive in through 35 Tannery Road)
Ruby Industrial Complex, Genting Block
Singapore 349565
Tel : 65-6747 1102 Fax : 65-6747 8997

Indonesia 印尼
PT. Autoaccindo Jaya
JL.Cideng Barat No.7,
Jakarta 10140, Indonesia
Phone: + 6221 6332730
Fax: + 6221 6322886

Vidal Sassoon and related logos are trademarks of
The Procter & Gamble Company used under license by Conair Corporation.
維達沙宣及其有關標誌乃寶潔有限公司擁有，授權予美商美康雅公司使用。

VSD271H

IB-15/436B

CONTINENTAL CONAIR LIMITED CHINA CREATIVE DEPARTMENT

Date	11/12/18
Customer	VS-HK
Model No.	VSD271H
Description	IB
Job No.	18VS216
Reference No.	IB-15/436B
Revision No.	0
Color	1C (BLACK) + 1C (BLACK)
Open Size	552mm(W) x 214mm(H)
Folded Size	92(W)mm x 214(H)mm
Material	80gsm Artpaper
Prepared by	Betty Bai
Approved by	Jimmy Ng/Katy Lee
Vendor	Yueli
Supplier	

折疊方法
Folding method:
12 pages (6 x 2)



2000W AC PRO IONIC TWIST DRYER

A dryer with a twist...it is compact, sleek, shiny and powered by AC motor.

You'll love being able to twist and fold the handle down for super compact storage making this dryer ideal for travel. The real twist is in the powerful airflow the AC motor can produce, drying your hair much faster than standard dryers.

On top of that there is the true cool shot to help you cool down and set your style, Ionic Conditioning Technology to reduce frizz and shine and the super slim concentrator for precision blow drying.



FEATURES:

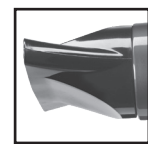
1. 220-240V~ 50-60Hz 1600-2000W
2. AC motor
3. Twist handle
4. Ionic conditioning technology
5. Soft storage and travel bag
6. Rear filter
7. 2 heat/speed settings
8. True cold shot button
9. Concentrator
10. Diffuser

GENERAL

1. Plug the appliance into a suitable mains socket.
2. Wash and condition your hair as usual.
3. Always towel-dry hair before using the dryer.

4. There are 2 heat/speed settings, plus the true cold shot.
 - a. Use the high heat and speed setting for initial drying. The highest setting is ideal for thick or hard to style hair.
 - b. Use the low heat and speed setting as the hair begins to dry and for styling and scrunch drying. The low heat is also best for fine or damaged hair.
5. Use the cold shot on warm hair to rapidly cool the hair and set the style in place for a longer-lasting effect.

THE ATTACHMENTS:



Ultra-slim Concentrator -

Use the concentrator for directing airflow just where you want it, to ease styling and straightening.

For additional styling control or for fine hair types use the lowest fan speed setting (with concentrator in place) and point the airflow along the surface of the hair to be dried.

CAUTION: Take care not to direct the airflow directly onto the skin (e.g. scalp, neck, ears, face, etc.) as hot air from hairdryers can, particularly if held too close, cause discomfort or even burns.



Diffuser -

A diffuser gives you more control over your hair. It is kinder and more gentle to your hair than conventional blow drying. Diffused heat is perfect for enhancing natural curls and waves or creating some extra volume.

- Tilt your head forward and aim the diffuser upwards into your hair so that the warm air circulates freely throughout.
- Use your fingers to lift the hair up from the roots.
- When dry, arrange your hair as required.

IMPORTANT: Only use the diffuser with your dryer on the lowest heat & speed setting.

IONIC TECHNOLOGY

Many aspects of modern living, including air conditioning, contact with man-made fibres and air pollution add to the build-up of static electricity in the hair. Even brushing and towel-drying the hair can increase these levels. This static charge causes the scales, or cuticles of the hair, to push hair strands apart, resulting in a rough hair surface. Consequently, hair may have a dull appearance.

High levels of static charge cause hair to become 'flyaway' and difficult to style. The advanced internal ionic generator conditions hair by emitting negative ions to reduce static, by leaving hair silky and shiny with reduced frizz.

IMPORTANT SAFETY INSTRUCTIONS

When using electrical appliances, especially when children are present, basic safety precautions should always be followed,

including the following:

READ ALL INSTRUCTIONS BEFORE USING KEEP AWAY FROM WATER

SAFETY PRECAUTIONS

WARNING: The polyethylene bags over the product or its packaging may be dangerous. Keep these bags out of the reach of babies and children.

Never use them in cribs, children's beds, pushchairs or playpens. The thin film may cling to the nose and mouth and prevent breathing. A bag is not a toy.



WARNING: Do not use this appliance near bathtubs, showers, basins or other vessels containing water.

1. If you are using the unit in a bathroom, unplug it after you have finished using it. Using the unit close to a source of water can, in fact, be dangerous, even if the unit is switched off. To ensure additional protection, have installed in your bathroom a residual current device (RCD) with a nominal trip current no higher than 30 mA. Ask your electrical fitter for advice.
2. Never immerse the unit in water or any other liquid.
3. If the supply cord is damaged, it must be replaced by the manufacturer, its service agent or similarly qualified persons in order to avoid a hazard.
4. When using the unit, make sure the unit's air vent is not blocked. Make sure there is no hair or any other dirt obstructing the unit's rear filter.
5. This unit has been equipped with a temperature cut-out. If the unit overheats, it will shut off automatically or will stop heating. If this happens, slide the switch on the unit's handle into the OFF position, unplug the unit and allow it to cool for 10 minutes. BEFORE using it again, make sure there is no hair or any other dirt in the unit's rear filter. Plug the unit in and switch it on. If it overheats again, stop using it immediately, switch it off and unplug it. Return the unit to the VS SASSOON service centre.
6. Do not use the unit if it has fallen or if it appears to be damaged.
7. Do not leave the unit unattended when it is plugged in or switched on.
8. Unplug the unit immediately if you have problems when using it.
9. Do not use any accessories other than those recommended by manufacturer.
10. Unplug the unit after each use and before cleaning it.
11. Avoid any contact between the unit's hot surfaces and your skin, in particular, your ears, eyes, face and neck.
12. This unit is not intended for use by people (including children) with reduced physical, sensory or mental capabilities, or by persons who lack experience or knowledge, unless they are supervised or have been given instructions beforehand on the use of the unit by a person responsible for their safety. Children should be supervised to make sure they do not treat

the unit like a toy.

13. Allow the unit to cool before storing.

14. To prevent damage to the cord, do not wrap it around the unit and ensure it is stored without twisting or folding it.

USER MAINTENANCE

Your dryer is virtually maintenance-free. No lubrication is needed. For proper operating performance, the dryer must be kept clean.

Blocked or clogged air intake vents will cause the dryer to overheat. When cleaning is needed, unplug the cord, and clean dust and lint from air intake openings with a small brush or the brush attachment of a vacuum cleaner. The outer surface of the dryer should be wiped clean with a damp cloth only.

If overheating occurs, an automatic safety device will shut down the dryer or the heat off to prevent damage or personal injury. If the unit or the heat cycles off, unplug the cord and allow the dryer to cool for 10 to 15 minutes before restarting. Make sure the air vents are clean.

CAUTION

Never allow the power supply cord to be pulled, twisted, or severely bent. Never wrap the cord tightly around the dryer. Damage will occur at the high flex point of entry into the dryer, causing it to rupture and short. Inspect the cord frequently for damage. Stop use immediately if damage is visible or unit stops or operates intermittently.

If the cord or dryer is damaged or does not operate properly, return it for repair to the VS Sassoon Service Centre. No repairs should be attempted by the consumer.

STORAGE

When not in use, your dryer should be disconnected and stored in a safe, dry location, out of reach of children. Do not wrap line cord around dryer.

WIRING INSTRUCTIONS

The wires in the mains lead are coloured in accordance with the following code:

BLUE = NETURAL

BROWN = LIVE

As the colours of the wire in the mains lead of this appliance may not correspond with the colour markings identifying the terminals on your plug proceed as follows:

- The wire which is coloured BLUE must be connected to the terminal which is marked with the letter 'N'.
- The wire which is coloured BROWN must be connected to the terminal which is marked with the letter 'L'.
- Neither the BLUE nor BROWN wires should be connected to the terminal which is marked with the letter E or the ⊕ symbol.

With this appliance, if a 13 amp plug is used a 13 amp fuse should

be fitted. If any other type of plug is used a 13 amp fuse must be fitted either in the plug or at the distribution board.

LIMITED TWO YEAR WARRANTY

This styler can be repaired or replaced free of charge for 2 years from the date of purchase if the styler is defective in workmanship or materials. This warranty is no longer valid in case of alteration or repair by any unauthorised persons. To obtain service under this warranty, please keep the original purchase receipt for warranty service, and you can bring the styler to our customer service center for repair during the warranty period.

OUT OF GUARANTEE

Call VS Sassoon Service Centre in your region as listed in this Instruction Booklet for details of repair service. Or email to us at email_asia@conair.com with your name, contact telephone number and email address and details of the fault.

For more information, please visit

