



Instruction Booklet 使用說明



13MM CERAMIC STRAIGHTENER 13毫米陶瓷直髮器

VSCS80DPH

沙宣13毫米陶瓷直髮器

重要安全指示

當使用電器時，尤其有小童在場，應小心及遵守以下安全指示：

使用前請細閱使用說明

電器應遠離水源

安全預防措施

警告：包裝或產品上使用的膠袋可能會有危險，請擺放在嬰兒及兒童拿不到的位置。請勿於嬰兒床、睡床、嬰兒車或兒童遊樂園內使用。膠袋的薄層可能會堵塞鼻子及口腔，阻礙呼吸。此膠袋不是玩具。



警告：切勿在浴缸、花灑、臉盆或其他裝有水的容器附近使用此產品。



以上符號表示“請勿在浴缸、花灑或盛滿水的容器中使用此電器”

- 當電器在浴室使用後，應立即拔除插頭，因為電器接近水會導致危險，即使開關已關掉。為提供額外的安全性保護，建議閣下在提供浴室電源的電路中安置不超過30毫安培(mA)的漏電斷路掣(RCD)；如有疑問，請向負責安裝的電機工程師查詢。
- 切勿把電器放入或掉進水或其他液體中。
- 如果電源線損壞，為了避免危險，必須由製造商、其維修部或類似部門的專業人員更換。
- 若電器曾跌落地或有任何不妥，請馬上停止使用。
- 切勿將已接上電源或開啟的電器置之不理。
- 如若在使用中有任何不妥，請馬上拔去插頭。
- 請不要使用非本產品提供的任何配件。
- 每次用完後或清潔前請先拔去插頭。
- 切勿將電器發熱的部份碰到身體，尤其是眼睛、耳朵、面部和頸部。
- 本產品不該讓有身體、感官或精神能力有缺陷或缺乏使用電器經驗與常識的人（包括兒童）單獨使用，而應由有經驗及常識之監管人監察及指導下使用此產品。小孩子應被監管以保證他們不會將此產品當成玩具。
- 待電器冷卻之後才收藏。
- 為避免損壞電源線，收藏時切勿將電源線纏繞在電器上並確保其不被拉扯、扭曲或屈折。
- 使用前請先閱讀本使用說明中有關環球電壓的資料。
- 請勿配合變壓器使用。

操作指示

本直髮器適合家居使用，適用電壓為100–240伏特交流電。切記只可以交流電（50–60赫茲）操作。

環球電壓

本直髮器會自動調校至合適輸入電壓。如需要，請在插座上轉接合適的配接插頭。

直髮功能

將本直髮器插上家用電源插座100–240伏特，然後將開關鍵推向“I”的位置，紅色顯示燈將會亮起。本直髮器將會迅即加熱。如要關機，則可將開關鍵推向“O”的位置，紅色顯示燈將會熄滅。切勿在開機後置直髮器不理。

警告：本直髮器的陶瓷板面在加熱數秒後會變得非常灼熱，切勿在開機時讓皮膚直接接觸直髮板面。

分出一束約1吋闊不到半吋厚的髮束，放置於層板之間，夾緊髮束，將層板由髮束根部慢慢拉向髮尾。可根據髮質的需要而重覆拉直髮束。

有效使用直髮器，經驗最為重要，經過重覆練習，你就能掌握直髮和造型的訣竅。

使用全新順滑陶瓷板面造型

本直髮器採用嶄新技術，配備了順滑的陶瓷板面。陶瓷能平均分散熱力，為您塑造健康亮麗及順滑的秀髮。順滑的板面不但能減少拉直頭髮時的阻力，而且方便清潔，例如每次使用後的造型產品殘餘物等。陶瓷板面更能有效減少毛燥髮絲，而且令熱力更均勻，使秀髮變得順滑，讓您塑造如專業髮型屋般的亮麗如絲順滑效果。拉直的秀髮能輕易地滑出板面。

全新的陶瓷科技能讓你直髮時更得心應手，輕易塑造出專業的造型效果。

認識你的13毫米陶瓷直髮器



保養

本直髮器無需保養，亦無需使用潤滑劑。請避免讓污物或塵埃堵塞通風孔。如需清潔機身，請先拔掉電源插頭並待機身降溫，然後用布塊擦拭機身外表。如發生任何異常現象，請立即拔出電源插頭並待機身降溫，然後交給沙宣顧客服務中心修理。用戶切勿自行維修本直髮器。

小心

切勿拉扯、扭曲或過度彎曲電線。切勿將電線緊纏在機身上，否則容易損壞接入機身的可轉動部位，導致電線破裂或短路。請經常檢查電線有否破損，如發現破損、停止或間歇性停止操作，請立即停用。

收存

不使用本直髮器時，可待機身降溫後，將其收存於安全、乾燥及遠離兒童的地方。切勿以拉扯電線的方式拔出插頭；切勿將電線纏繞在機身上。要確保電線的接入機身部分垂直，其餘部分自然放置即可。

電線系統

總電線的顏色根據其性質而定：

藍色代表中線
啡色代表火線

由於電器的總電線顏色和插頭的電路接頭顏色可能不相符，故如要拆除插頭必須依照以下重新裝配操作說明：

- 藍色的電線應和電路接頭“N”接駁。
- 啡色的電線應和電路接頭“L”接駁。
- 切勿將以上任何一條電線駁在電路接頭的地線“E”或⊕插頭上。

此電器使用十三安培電插頭時，請採用三安培的保險絲。若使用其他電插頭，請採用三安培保險絲。

兩年保養期限

在您購買日期起兩年內，並在正常情況下，如產品的品質或零件有任何不妥善之處，沙宣顧客服務中心將會為您免費提供維修或換貨服務。如需獲得此保用服務，只需保留正本收據，倘若產品於保養期內有任何問題，可蒞臨您所在地區的顧客服務中心處理。注意：是項保養不包括一切因錯誤使用、不依指示處理產品及意外損毀、遺失零件及經自行改造的產品。

保用期之後

請致電使用說明中所列出的您所在地區的沙宣顧客服務中心，諮詢維修服務詳情，或是電郵至email_asia@conair.com，附上您的名字，電話號碼和電郵地址，還有產品不妥善之詳情。

如欲了解更多，請登入



在使用前，請先通過二維碼獲取電子說明書，以免遺失紙質說明書而無法獲取產品資訊。

CONTINENTAL CONAIR LIMITED CHINA CREATIVE DEPARTMENT

Date	2/2/2021
Customer	VS-HK
Model No.	VSCS80DPH
Description	IB
Job No.	
Reference No.	IB-10/484I
Revision No.	0
Color	1C (BLACK) + 1C (BLACK)
Open Size	460mm(W) x 214mm(H)
Folded Size	92(W) x 214(H) / mm
Material	80gsm Artpaper
Prepared by	Betty bai
Approved by	Ken Xiong
Vendor	Millplan
Supplier	

折疊方法
Folding method:
10 pages (5 x 2)



VS SASSOON SERVICE CENTRE

Manufacturer: Continental Conair Limited
Address: 35/F., Standard Chartered Tower, Millennium City,
388 Kwun Tong Road, Kwun Tong, Kowloon, Hong Kong.
Tel: (852) 2751 4604

沙宣顧客服務中心

製造商：美康雅有限公司
地址：香港九龍觀塘觀塘道388號創紀之城渣打中心35樓
電話：(852) 2751 4604

www.toolsofsassoon.com

DISTRIBUTED BY: 經銷商:

Philippines 菲律賓
Rustan Marketing Corporation
3rd Floor, 403 Midland Building,
Senator Gil Puyat Ave., Makati City, Philippines
Tel: (632) 890 9703 Fax: (632) 890 4838

Malaysia 馬來西亞
Innovest Marketing Sdn. Bhd.
Lot 2208, Jalan Kusta, Kampung Jaya Industrial Area,
47000 Sungai Buloh, Selangor D.E., Malaysia
Tel: 603 6141 3598

Singapore 新加坡
Massmark International Pte Ltd
80 Genting Lane #08-01/05
(*Drive in through 35 Tannery Road)
Ruby Industrial Complex, Genting Block
Singapore 349565
Tel : 65-6747 1102 Fax : 65-6747 8997

Indonesia 印尼
PT. Autoaccindo Jaya
JL.Cideng Barat No.7,
Jakarta 10140, Indonesia
Phone: + 6221 6332730
Fax: + 6221 6322886

Certain trademarks used under license from The Procter & Gamble Company or its affiliates.

維達沙宣及其有關標誌乃寶潔有限公司擁有，授權予美商美康雅公司及其關係企業使用。

VSCS80DPH

IB-10/484I

VS SASSOON 13MM CERAMIC STRAIGHTENER

IMPORTANT SAFETY INSTRUCTIONS

When using electrical appliances, especially when children are present, basic safety precautions should always be followed, including the following:

READ ALL INSTRUCTIONS BEFORE USING KEEP AWAY FROM WATER

SAFETY PRECAUTIONS

WARNING: The polyethylene bags over the product or its packaging may be dangerous. Keep these bags out of the reach of babies and children. Never use them in cribs, children's beds, pushchairs or playpens. The thin film may cling to the nose and mouth and prevent breathing. A bag is not a toy.



WARNING: Do not use this appliance near bathtubs, showers, basins or other vessels containing water.



The above symbol means " Do not use this device in a bathtub, shower or water-filled reservoir "

1. If you are using the unit in a bathroom, unplug it after you have finished using it. Using the unit close to a source of water can, in fact, be dangerous, even if the unit is switched off. To ensure additional protection, have installed in your bathroom a residual current device (RCD) with a nominal trip current no higher than 30 mA. Ask your electrical fitter for advice.
2. Never immerse the unit in water or any other liquid.
3. If the supply cord is damaged, it must be replaced by the manufacturer, its service agent or similarly qualified persons in order to avoid a hazard.
4. Do not use the unit if it has fallen or if it appears to be damaged.
5. Do not leave the unit unattended when it is plugged in or switched on.
6. Unplug the unit immediately if you have problems when using it.
7. Do not use any accessories other than those recommended by manufacturer.
8. Unplug the unit after each use and before cleaning it.
9. Avoid any contact between the unit's hot surfaces and your skin, in particular, your ears, eyes, face and neck.
10. This unit is not intended for use by people (including children) with reduced physical, sensory or mental capabilities, or by persons who lack experience or knowledge, unless they are supervised or have been given instructions beforehand on the use of the unit by a person responsible for their safety. Children should be supervised to make sure they do not treat the unit like a toy.

11. Allow the unit to cool before storing.
12. To prevent damage to the cord, do not wrap it around the unit and ensure it is stored without twisting or folding it.
13. Before plugging in, read the information about worldwide voltage contained in the operating instructions section of this manual.
14. Do not use with a voltage converter.

OPERATING INSTRUCTIONS

This straightening iron is intended for household use. This unit is designed to operate at 100-240 volts AC. Use on Alternating Current (50-60 Hz) only.

WORLDWIDE VOLTAGE

This straightening iron will automatically adjust to the proper voltage. Use an adapter plug with correct configuration, prior to use in outlet.

STRAIGHTENING BASICS

Plug the straightening iron cord into any household outlet 100V-240V. Slide switch to "I" position. Red LED light will indicate power is on. The iron will heat up very quickly. To turn off, slide to "O" position. Red light will go off. Never leave your straightening iron on and unattended.

WARNING: The straightening iron's ceramic-coated plates will get very hot within a few seconds and should not be placed in contact with the skin after the straightening iron has been turned on.

Start with a hair section that is 1 inch wide and no more than 1/2 inch thick. Open the iron and place a hair section between the two hot plates, close to the scalp. Close plates over hair by firmly squeezing the handles together. While maintaining the tension, slowly pull the unit down along the hair section toward the end of hair. At the end of hair section, release the pressure on the handle and allow the hair to slide out. Repeat process on additional sections of hair until you achieve the hair style you desire. It may be necessary to repeat process on certain areas, depending on the texture of your hair.

Some experience is necessary when learning to use this straightening iron. After using the iron several times, you will learn the ideal way to straighten and style your hair easily.

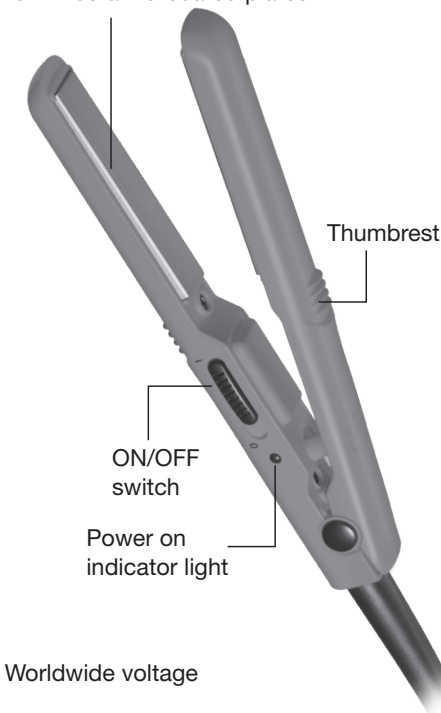
STYLING WITH THE NEW EASY-GLIDE CERAMIC-COATED PLATES

The plates of your new straightening iron have an easy-glide ceramic surface, the latest in technological advances. The ceramic even heat distribution produces the ultimate in healthy, shiny, silky looking hair. You'll find that hair glides easily over the surface of the plates as you're straightening, and that it is easier to clean styling products residue, etc. off the plates after each use. The ceramic surface also helps smooth down flyways and frizzies. As you smooth your hair, heat is evenly distributed so that the style you create has a salon-perfect, silky smooth, shiny finish. Hair also glides right through the plates after it's straightened.

The new ceramic technology is a pleasure to work with, makes styling your hair easier and provides professional results.

GET TO KNOW YOUR 13MM CERAMIC STRAIGHTENER

13mm ceramic-coated plates



Worldwide voltage

USER MAINTENANCE

Your straightening iron is virtually maintenance-free. No lubrication is needed. Keep all vents and openings clear of dirt and dust. If cleaning becomes necessary, disconnect the unit from the power source, allow to cool and wipe exterior with a cloth. If any abnormal condition occurs, unplug the unit, allow it to cool, and return it for repair to VS Sassoon Service Centre. No repairs should be attempted by the consumer.

CAUTION

NEVER allow the power supply cord to be pulled, twisted, or severely bent. Never wrap the cord tightly around the appliance. Damage will occur at the high flex point of entry into the appliance, causing it to rupture and short. Inspect the cord frequently for damage. Stop use immediately if damage is visible or if unit stops or operates intermittently.

STORAGE

When not in use, your appliance is easy to store. Allow appliance

to cool, then store out of reach of children in a safe, dry location. Do not jerk or strain cord at plug connections.

WIRING INSTRUCTIONS

The wires in the mains lead are coloured in accordance with the following code:

BLUE = NEUTRAL
BROWN = LIVE

As the colours of the wire in the mains lead of this appliance may not correspond with the colour markings identifying the terminals on your plug proceed as follows:

- The wire which is coloured BLUE must be connected to the terminal which is marked with the letter 'N'.
- The wire which is coloured BROWN must be connected to the terminal which is marked with the letter 'L'.
- Neither the BLUE nor BROWN wires should be connected to the terminal which is marked with the letter E or the ⚡ symbol.

With this appliance, if a 13 amp plug is used a 3 amp fuse should be fitted. If any other type of plug is used a 3 amp fuse must be fitted either in the plug or at the distribution board.

LIMITED TWO YEAR WARRANTY

This styler can be repaired or replaced free of charge for 2 years from the date of purchase if the styler is defective in workmanship or materials. This warranty is no longer valid in case of alteration or repair by any unauthorised persons. To obtain service under this warranty, please keep the original purchase receipt for warranty service, and you can bring the styler to our customer service center for repair during the warranty period.

OUT OF GUARANTEE

Call VS Sassoon Service Centre in your region as listed in this Instruction Booklet for details of repair service. Or email to us at email_asia@conair.com with your name, contact telephone number and email address and details of the fault.

For more information, please visit



Before use, please obtain digital instruction manual by QR code to avoid losing paper manual and failing to obtain product information.